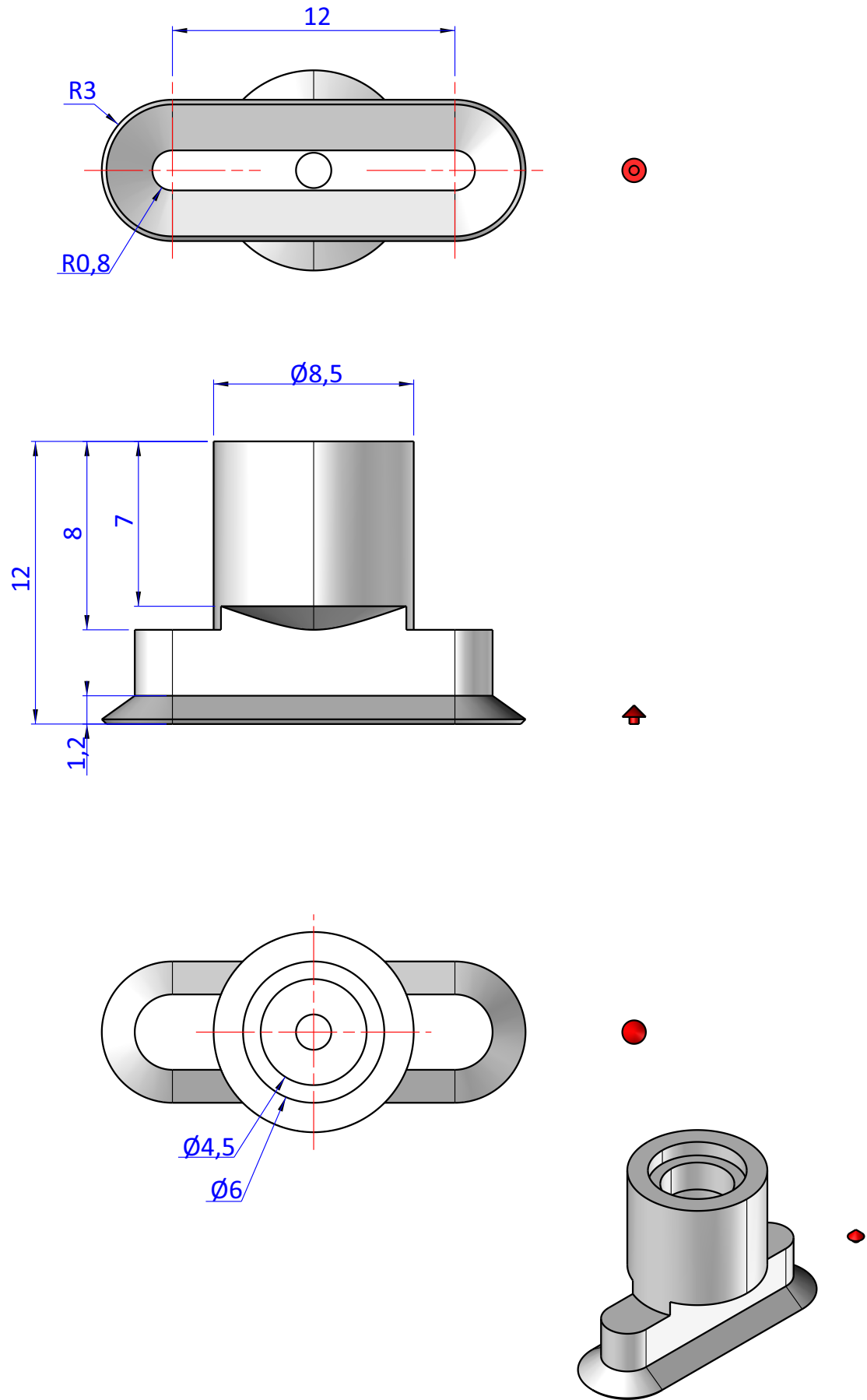

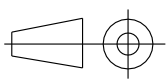


THE PROPERTY OF THE DRAWING IS ESTABLISHED BY LAW. IT IS FORBIDDEN TO PRODUCE OR SHOW IT TO THIRD PART. WITHOUT A WRITTEN AGREEMENT.



Format A4 UNI 936-76	 FPS FPSERVICES AUTOMATION		DESIGNED FROM FPS Automation	REVIEW A
			DATE 06/10/2020	WEIGHT 0,000kg
			CODE CA.08.40.003	

GENERAL TOLERANCE UNI - ISO 2768 CLASSE f	DESCRIPTION CA.08.40.003
---	------------------------------------